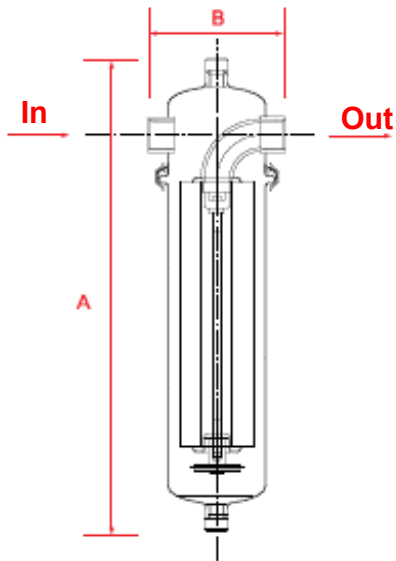


## Stainless housing for single-tube cartridge filter (CF-1V)



ITEM	CF-1V-250	CF-1V-500
Materials(Body)	SUS316 (V band: SUS304)	
Materials(O-ring)	Silicone	
Cartridge Length (mm)	250	500
Design Pressure	0.49MPa	
Design Temperature	60°C	
Weight	1.25 kg	1.85 kg
Total height (A) (mm)	431	685
Connection Size	20A (Rc 3/4B)	
Diameter(B) (mm)	120	