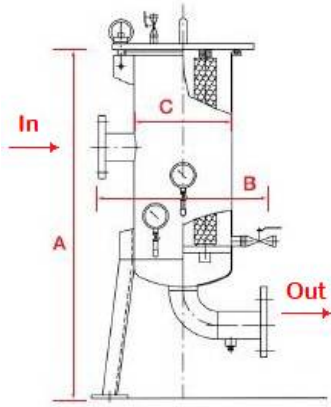


Multi Cartridge housings (NFC)



Standard model specification

Materials(Body)	SUS304
Materials(O-ring)	NBR
Design Pressure	0.49MPa
Design Temperature	60°C
The number of cartridge	3~60 pcs.
Pressure Gauge	(*)

* These are attached in standard (primary and secondary side).

Specifications and dimensions

A: Total height
B: Flange to Flange
C: Outside diameter

Type	The number of cartridge	Convert 250mmL size	Connection Size	Size (mm)			Weight (kg)
				A	B	C	
NFC-3W-S	500mm×3	6	40A (1 1/2B)	895	300	165.2	42
NFC-3T-S	750mm×3	9	40A (1 1/2B)	1145			46
NFC-5W-S	500mm×5	10	50A (2B)	900	420	216.3	65
NFC-5T-S	750mm×5	15	50A (2B)	1150			70
NFC-6W-S	500mm×6	12	65A (2 1/2B)	925	460	237.4	73
NFC-6T-S	750mm×6	18	65A (2 1/2B)	1185			80
NFC-10W-S	500mm×10	20	65A (2 1/2B)	990	500	318.5	124
NFC-10T-S	750mm×10	30	65A (2 1/2B)	1240			134
NFC-15W-S	500mm×15	30	80A (3B)	1040	620	406.4	156
NFC-15T-S	750mm×15	45	80A (3B)	1290			167
NFC-20W-S	500mm×20	40	80A (3B)	1045	660	457.2	195
NFC-20T-S	750mm×20	60	80A (3B)	1295			208
NFC-30W-S	500mm×30	60	100A (4B)	1100	760	558.8	290
NFC-30T-S	750mm×30	90	100A (4B)	1350			306
NFC-40W-S	500mm×40	80	125A (5B)	1160	800	609.6	354
NFC-40T-S	750mm×40	120	125A (5B)	1410			373
NFC-50W-S	500mm×50	100	150A (6B)	1190	860	660.4	510
NFC-50T-S	750mm×50	150	150A (6B)	1440			550
NFC-60W-S	500mm×60	120	150A (6B)	1237	960	762	610
NFC-60T-S	750mm×60	180	150A (6B)	1480			650

We also manufacture things other than that it is written here. For example, the length or number.