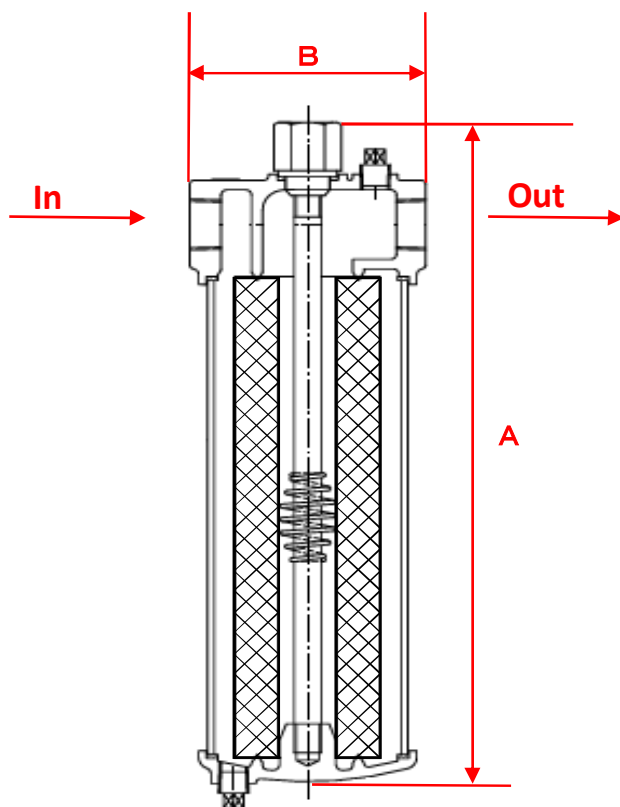


## Stainless housing for single-tube cartridge filter (JF-1S)



| ITEM                     | JF-1S-250   | JF-1S-500 |
|--------------------------|-------------|-----------|
| Materials(Body)          | SUS304      |           |
| Materials(Coiled Spring) | SUS316      |           |
| Materials(Center Shaft)  | SUS304      |           |
| Materials(Gasket)        | PTFE        |           |
| Cartridge Length (mm)    | 250         | 500       |
| Design Pressure          | 0.98 MPa    |           |
| Design Temperature       | 60°C        |           |
| Weight(kg)               | 3.3         | 5.0       |
| Total height (A)         | 342         | 590       |
| Connection Size          | 25A (Rc 1B) |           |
| Diameter(B)              | 105         |           |